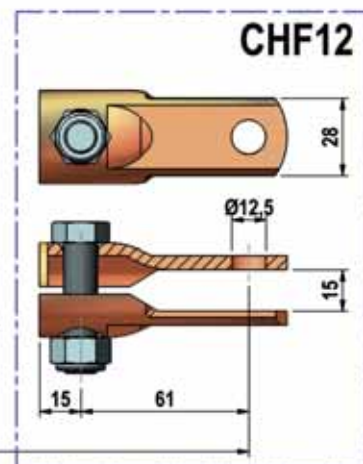
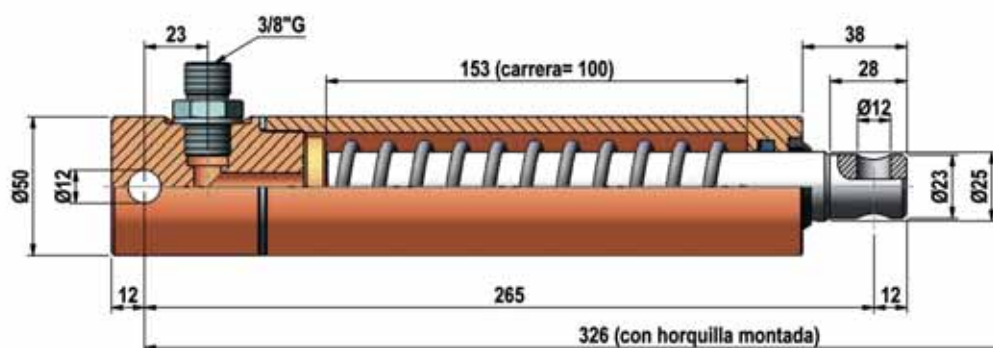


# Cilindros de freno

Brake cylinder / Vérin hydraulique de freinage

## Tipo estándar / Standard type / Type standard



Opción | Option | Facultatif:  
Horquilla / Yoke / Chape. Ref.: CHF12

REF.	∅ Vast. Rod Tige	Carrera Stroke Course	∅ Ext	Vol. (l)	Peso (kg) Weight Poids
2550100RN	25	100	50	0,12	3,05

REF.	Descripción   Description
0450-2	Latiguillo R2AT 3/8" 0,45mts. Tuerca loca codo 90° 3/8" + Tuerca loca recta 1/2". Hose R2AT 3/8" 0,45mts. + 90° swivel female 3/8" + swivel parallel female 1/2". Flexible R2AT 3/8" x 0,45 mètres + Raccord femelle tournant 90° 3/8" + Raccord droit femelle 1/2".

Opción | Option | Facultatif:  
Latiguillo | Hose | Flexible



## Tipo palonnier / Palonnier type / Type palonnier

REF.	∅ A	Carrera Stroke Course	Peso (kg) Weight Poids
VFP25	25	110	4,47
VFP30	30	110	4,93
VFP35	35	110	5,50

