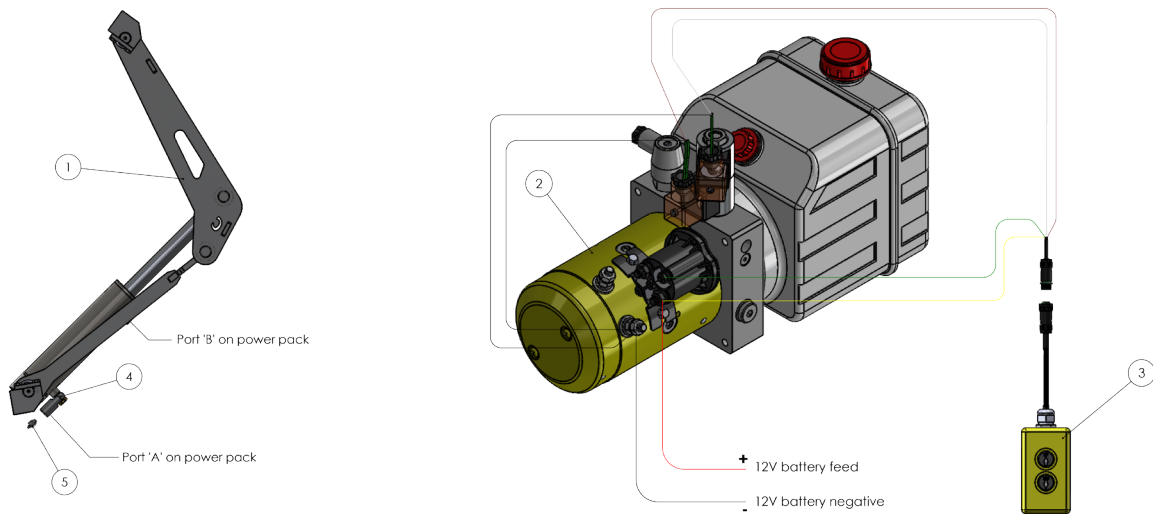
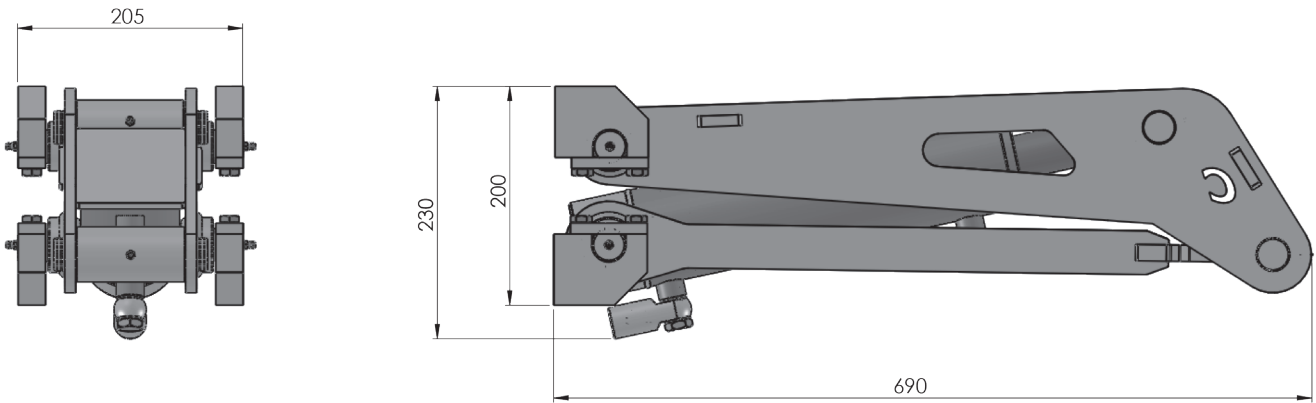


# 3.5 TONNE VEHICLE SCISSOR GEAR

Part No: COMPAS4 (scissor assy) + MC12VCOMP4 (powerpack+button control+co

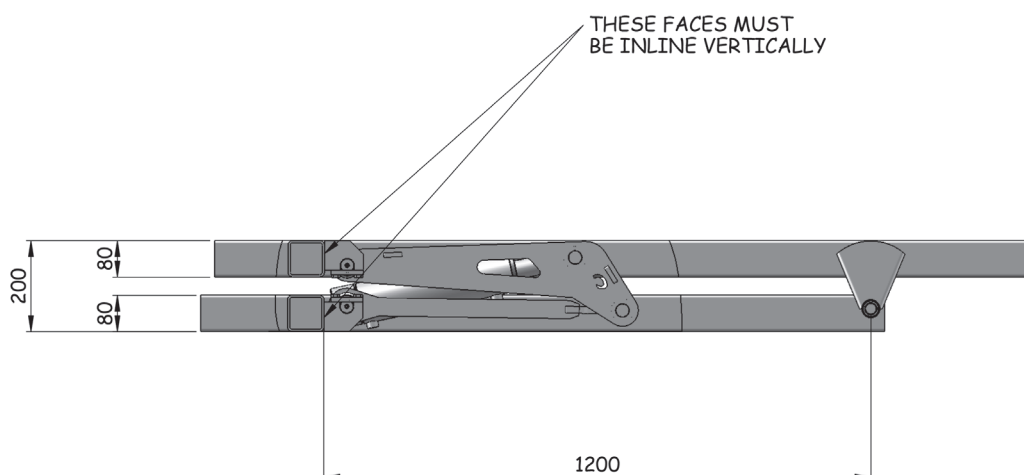
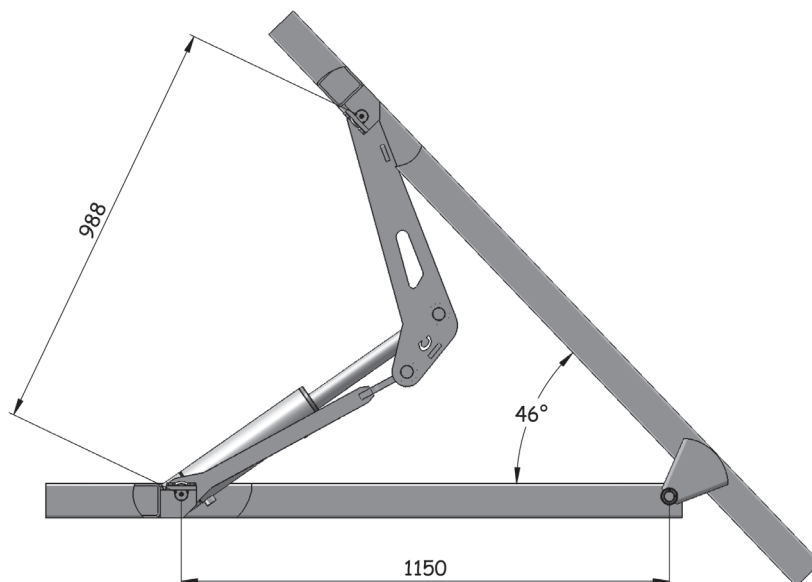


## Advantages

- Stabilised integrated frame
- Constant speed during operation
- Compact design
- Quick easy installation
- Zinc passivated finish
- Double acting operation
- Power down hold body onto chassis

## Technical Specification

- Weight - 41kg
- Working pressure - 240 bar
- Tip speed - 10 seconds to close  
12 seconds to open
- 12vDC pre wired pack
- Pressure switch
- 2 button controller
- Tip load 1.5 ton



The above layout drawings show the key mounting dimensions for the 10-001-A scissor assembly. Please note never work under a unpropped body. This product is designed to lift 1.5 tons, overloading the body may cause damage.