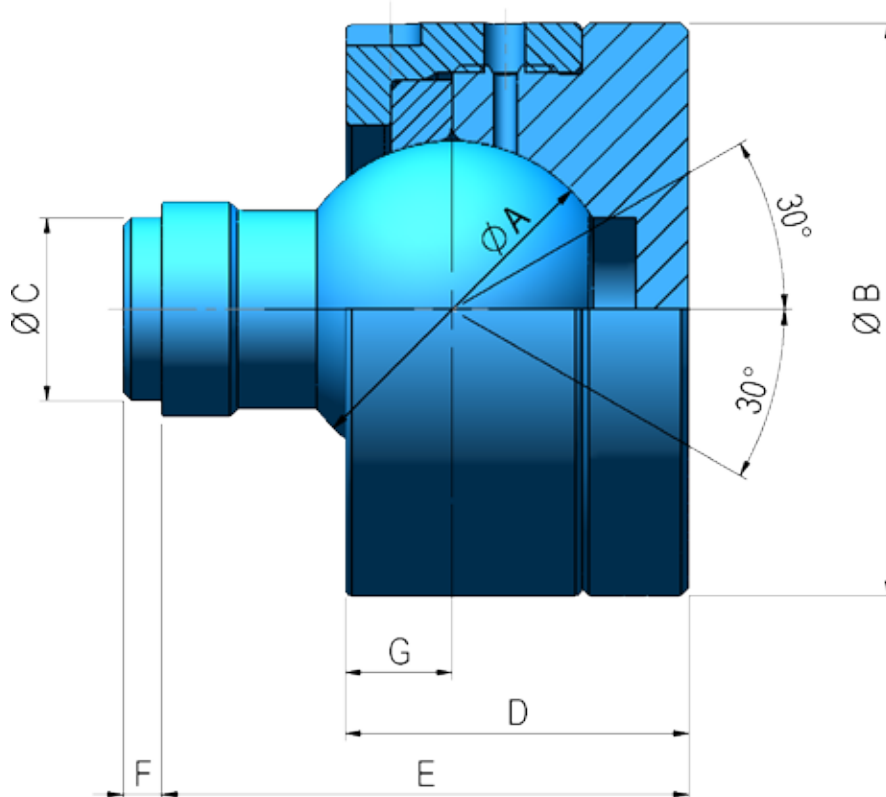
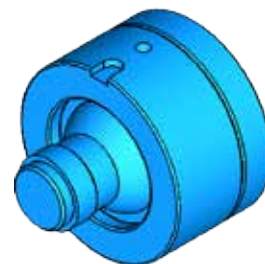




# RÓTULA DE APOYO

## SUPPORTING SPHERICAL CAB

### ROTULE D'APPUI



| REF CODE    | ØA | ØB  | ØC | D  | E   | F  | G  | Fuerza Máx sobre Rótula(TN)<br>Max Force on ball-joint<br>Effort maxi sur Rotule | Peso (kg)<br>Weight<br>Poids |
|-------------|----|-----|----|----|-----|----|----|--|------------------------------|
| <b>123R</b> | 44 | 75  | 24 | 45 | 69  | 5  | 14 | 8  | 1,5                          |
| <b>124R</b> | 55 | 95  | 34 | 52 | 91  | 5  | 16 | 14   | 3                            |
| <b>125R</b> | 66 | 115 | 34 | 59 | 89  | 5  | 19 | 22   | 4                            |
| <b>126R</b> | 79 | 135 | 71 | 74 | 109 | 50 | 22 | 32   | 7                            |

MAT.: F-1140