



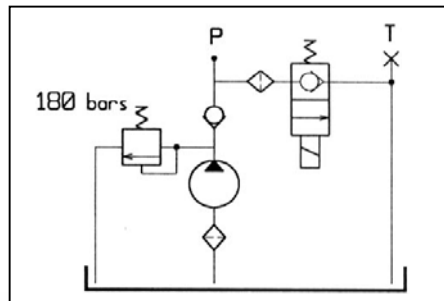
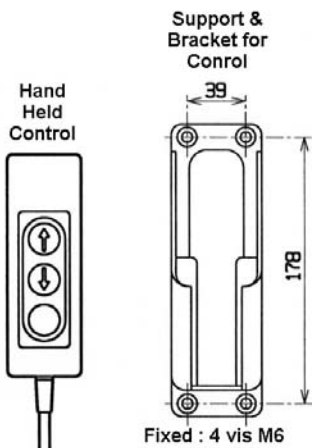
**CILINDROS Y  
CROMADOS, S.L.**

Pol. Ind. Municipal Dueñas, Parc. 4E  
34210 Dueñas (Palencia) - SPAIN  
Tel. 902 15 30 45 / Fax : 979 78 10 00



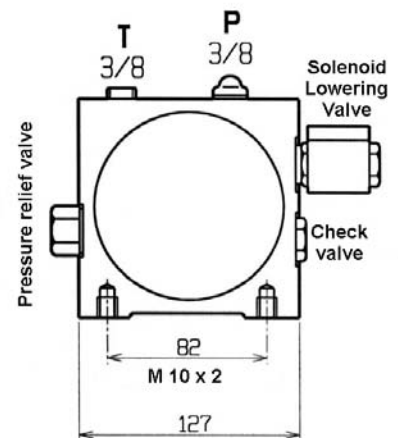
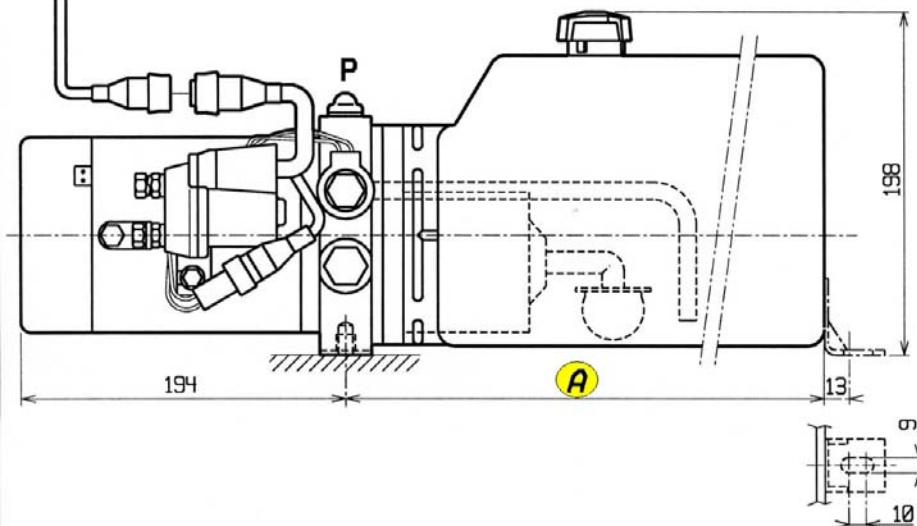
# POWER PACKS

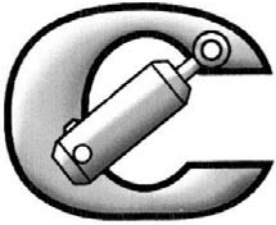
## 12 / 24V DC



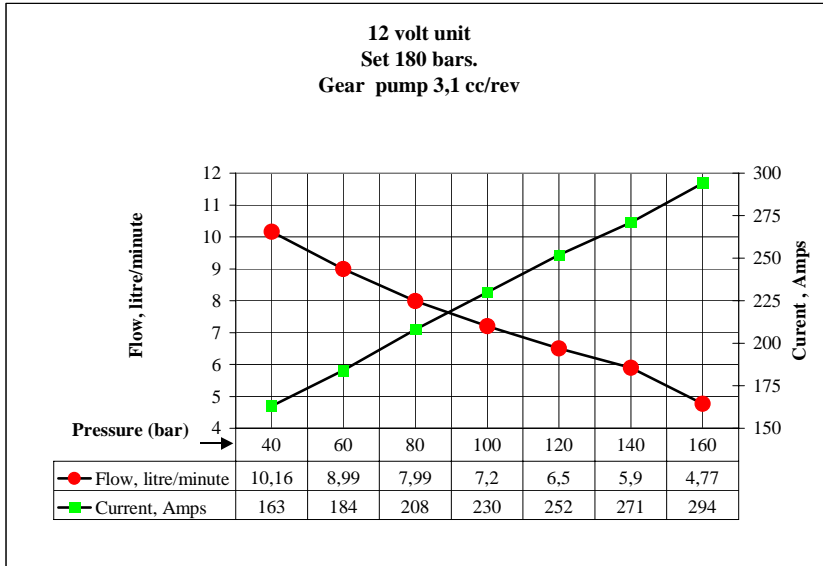
	DIM A
4 litre tank	245 mm
7 litre tank	400 mm
9 litre tank	527 mm

TECHNICAL CHARACTERISTICS	
Gear pump	3,1 cc/rev
Max pressure	210 bars
set pressure	180 bars
Elect. Motor	12V-24V / 1800W
Plastic tank size	4L - 7L - 9L
Mounting	Horizontal
Command	Solenoid lowering valve





### UNIT PERFORMANCE AT 12 VOLT



### **GENERAL:**

Each unit has been tested before shipment.  
Waterproofed starting relay with a green function diode.  
Plastic injected reservoir (no corrosion problem, visible oil level)

### **STARTING PROCEDURE**

The battery's amperage depends on its use. A standard battery is enough for usual applications. A 300 amps-hour battery is more adapted for a more intensive use.  
Fill the reservoir and the system with sufficient CLEAN oil to maintain the level above the filter. Use a clean funnel fitted with a fine mesh wire screen.

**NOTE :** Do not use a cloth strainer.

When starting the motor for the first time, alternately start and stop motor / pump unit several times until the pump is primed and full flow begins.

Ensure that all air is bled from the system, preferably at its highest point with the system under pressure.

Air in the system will cause erratic and noisy operation.

**UNDER NO CIRCUMSTANCES MUST THE UNIT BE RUN WITHOUT OIL**